

**eCOV-115**

**Mini Serial-Ethernet Device Server**



**TYSSO**®

*Insist on the Best*

Total Length: 32 cm Only

The Smallest Serial Ethernet Device Server in the World



**VirtualCOM**  
Supported

## FEATURES

- Wherever the network is, your control will be there.
- Best network solution for low cost serial devices 10/100mbs Networking Speed.
- Cable Shape - Virtually invisible to the application environment.
- Comes with the VirtualCOM (Virtual COM Port Driver.) Support the TCP/IP, UDP, HTTP, DHCP, TELNET, ICMP, ARP, TFTP, and more!
- Easy-to-Use Configuration Utility. No software development knowledge is needed.
- Your company logo/details can be pre-loaded into the configuration software upon requested (for volume orders only)

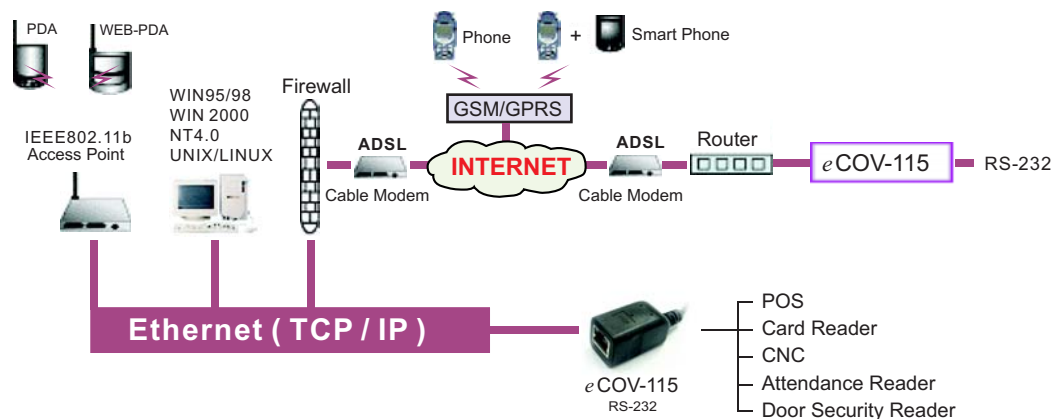
## APPLICATIONS

- Access Control
- Security System
- Telecommunication
- Network Power Control
- POS & Auto ID Equipment
- Factory/Laboratory Automation
- Home/Building Automation

## SPECIFICATIONS

Category	Description
<b>Memory</b>	256-Kbyte zero wait state SRAM, 512-Kbyte flash, 2-Kbyte boot ROM
<b>Firmware</b>	Upgradeable via TFTP and serial port
<b>Reset Circuit</b>	200 ms power up/down reset pulse. Reset triggered at 3.08V. Manual reset input supplies a 200 ms reset.
<b>Serial Interface</b>	CMOS (asynchronous) 3.3V-level signals (not 5V tolerant) Baud rate software selectable (300 to 230400 bps)
<b>Serial Line Formats</b>	Data bits: 7 or 8 Stop bits: 1 or 2 Parity: odd, even, none
<b>Modem Control</b>	DTR/DCD, CTS, RTS
<b>Flow Control</b>	XON/XOFF (software), CTS/RTS (hardware), None
<b>Programmable I/O</b>	3 PIO pins (software selectable), sink or source 8mA max.
<b>Network Interface</b>	RJ45 Ethernet 10Base-T or 100Base-TX (auto-sensing)
<b>Compatibility</b>	Ethernet: Version 2.0/IEEE 802.3
<b>Protocols Supported</b>	ARP, UDP/IP, TCP/IP, Telnet, ICMP, SNMP, DHCP, BOOTP, TFTP, Auto IP, SMTP, and HTTP
<b>LEDs</b>	10Base-T and 100Base-TX, Link, Activity, Full/half duplex. Pins 6 and 8 can also drive external LEDs for XPort status & diagnostics.
<b>Management</b>	Internal web server, SNMP (read only) Serial login, Telnet login
<b>Security</b>	Password protection, locking features, optional Rijndael 128-bit encryption
<b>Internal Web Server</b>	Serves static web pages and Java applets Storage capacity: 384 Kbytes
<b>Cable Length</b>	32 cm
<b>Weight</b>	0.34 oz (9.6 grams)
<b>Material</b>	Metal shell, thermoplastic case
<b>Temperature</b>	Operating range: -40°C to +85°C (-40°F to 185°F)
<b>Shock/Vibration</b>	Non-operational shock: 500 g's Non-operational vibration: 20 g's
<b>Warranty</b>	One-year limited warranty
<b>Included Software</b>	Windows™ 98/NT/2000/XP-based Device Installer configuration software and Windows™-based Com Port Redirector
<b>EMI Compliance</b>	Radiated and conducted emissions-complies with Class B limits of EN 55022:1998 Direct & Indirect ESD-complies with EN55024:1998 RF Electromagnetic Field Immunity-complies with EN55024:1998 Electrical Fast Transient/Burst Immunity-complies with EN55024:1998 Power Frequency Magnetic Field Immunity-complies with EN55024:1998 RF Common Mode Conducted Susceptibility-complies with EN55024:1998

## ARCHITECTURE



Manufacturer

**FAMETECH INC.**

2F, No. 165, Sec. 2, Ta-Tung Rd.,  
Hsi-Chih 221, Taipei Hsien, Taiwan, R. O. C.  
Tel : 886-2-8692-6300  
Fax: 886-2-8692-6301  
E-Mail: tyssso@ms6.hinet.net  
URL: http://www.famotech.com.tw