

Compact Metal Housing

# FLAG-900 Series

- ï High Performance, Small size for Fixed-Mount or Embedded Scanning Applications.
- ï Reliable High Quality Scanning, Software-controlled Trigger or Photo-switch Triggerless Operation for RS-232 interface.



The FLAG-900 Series combine compact, durable construction with barcode laser scanning technology for a rugged, reliable fixed-mount scanner that can also be used as an embedded module.

Available in standard or long-range working distances for optional flexibility.

The FLAG-900 Series are designed with superior laser performance and sophisticated decoding algorithms, assure the highest first-

time read rate and accuracy.

Used as fixed-mount, non-contact scanners, the FLAG-900 series are ideal for conveyer, library and document tracking applications.

The FLAG-900 Series modules are also idea for embedded applications, such as banking ATM system, automatic test and processing equipment, and many other automated data entry devices.

## Specifications:

### Optical

#### Resolution & Reading Depth

Series	Max. Resolution	Max. Depth for 40mil
FLAG-900LR	6 mil (0.15mm)	230 cm
FLAG-900MR	4 mil (0.1mm)	100 cm
FLAG-900NR	5 mil (0.125mm)	38 cm
FLAG-900TR	4 mil (0.1mm)	25 cm

Nominal scan rate	100 or 33 scans/sec
Wavelength	670nm±10nm
Maximum pitch	±65 degrees
Maximum skew	±50 degrees

### Engineering Design

Power source	+5VDC, ±5%
Processor	Intel 80C31
Decoder	Proprietary
Body Material	Metal
Current Consumption	55mA~90mA(max.) for undecoded
Weight	140g (without cable)
Shock Resistance	1 meter drop onto concret
Audible Indicator	Beeper driver output
Mounting	Screw Mounting to case bottom

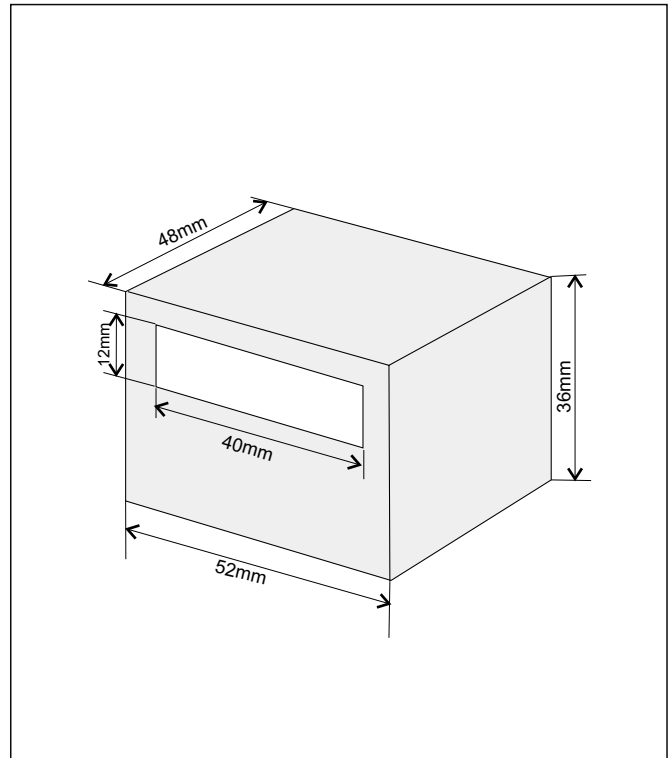
### Readable Barcodes

Code 39, Full ASCII Code 39, UPC/EAN/JAN, CODABAR, Interleaved 2/5, Code 128, Code 11, Code 93, MSI/PLESSEY, Code 4, etc.

### Operating Environment

Operating Temperature	0°C to 50°C
Storage Temperature	-20°C to 65°C
Relative Humidity	5% to 95% noncondensing
EMI Emission	FCC class A
Ambient Light	3,000 to 8,000 lux
Connectivity	DB9, DB25, AMP, RJ-45, RJ-11, DIN 5

## Dimensions:



### Series

FLAG-900LR	Long Range $\geq$ 230 cm
FLAG-900MR	Middle Range $\geq$ 100 cm
FLAG-900NR	Normal Range $\geq$ 38 cm
FLAG-900TR	Photo-switch Triggerless Reading Range $\geq$ 25 cm

### Models - by interfaces

FLAG-900-R	RS-232 interface with built-in decoder
FLAG-900-K	Keyboard wedge with built-in decoder (only available for FLAG-900TR)

ISO-9002 Certified



Manufacturer

**FAMETECH INC.**

2F, No. 165, Sec. 2, Ta-Tung Rd.,  
Hsi-Chih 221, Taipei Hsien, Taiwan, R. O. C.  
Tel : 886-2-8692-6300  
Fax: 886-2-8692-6301  
E-Mail: tyssso@ms6.hinet.net  
URL: <http://www.fametech.com.tw>